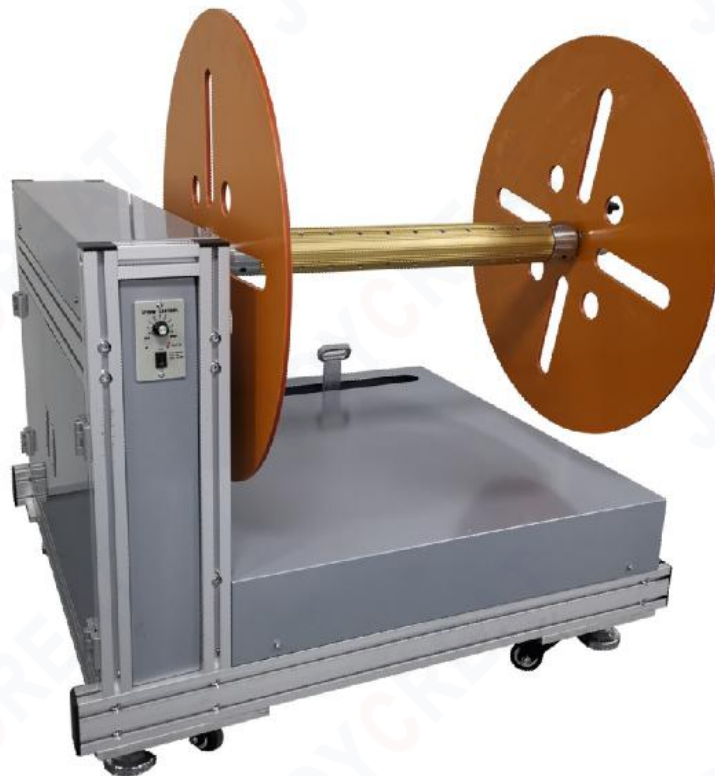


# Fully-automatic Edge Trim Winder

(JSCM-01)

## Specification



Note: This "Fully-automatic Edge Trim Winder Specification" is confidential information of our company. Please do not disclose it to any third party without permission.

## 1. User notes

- 1) Read this instruction carefully before using the equipment.
- 2) The operator must keep in mind matters needing attention to avoid personal injury and other accidents.
- 3) The operator must strictly abide by the equipment operating procedures. Power supply and surrounding environment must meet the equipment requirements.

## 2. Cautions

- 1) Equipment must be well grounded and power supply must be in good contact.
- 2) Do not touch any contact lines and ends to avoid electric shock. Maintenance of the machine shall not be carried out without professional training. Power must be cut off before electrical maintenance.
- 3) People who are drunk, overtired or schizophrenic are prohibited from operating the equipment.
- 4) All kinds of inflammable and explosive articles are forbidden to connect into this equipment.
- 5) When the equipment is in normal operation, do not put your hands or other body parts near the moving parts of the machine to avoid collision (clamping) injury.
- 6) Storage and use environment should be clean, dry, no dust pollution.

### 3. Specifications

Dimension : 1050mm\*900mm\*1100mm

Flange diameter: 700mm; width: 680mm

Weight : 100Kg

Voltage : AC220V 50/60 Hz

Rated Power : 90W

Compressed Air : 0.5~0.6 MPa

Air Consumption : 200 L/min

Control Mode : governor motor control

Capacity: 50 m/min

## 4. Operation Instructions

- 1) Please check whether there are obstacles inside and outside the equipment before use
- 2) Open the power switch (governor switch) of the equipment and confirm whether the winder rotates normally.
- 3) Rotating speed is adjusted by the governor and should match the machine running speed. Should not too fast or too slow, slightly faster than the machine speed would be better.
- 4) Inflate the pneumatic shaft (beam)
- 5) Load the edge material
- 6) Release the compressed air in the pneumatic shaft (beam), very easy to remove the waste material.

## 5. Introduction

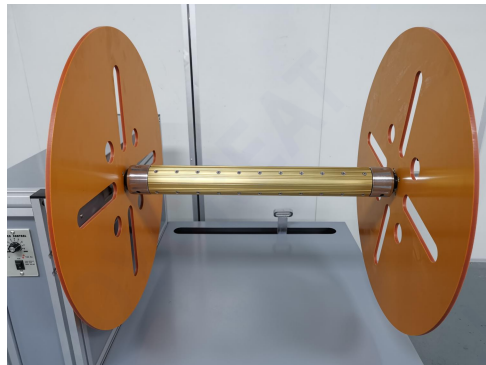
### 1) Governor motor

- \* The speed can be adjusted
- \* Match the production speed



### 2) Edge material feeding ring and Material homogenizer

- \* Driven by the rotating shaft, the material is evenly spread on the pneumatic shaft



### 3) Pneumatic shaft

- \* Easy to remove the waste material
- \* Flange diameter is 700mm, width is 680mm
- \* Neat, convenient collection and processing



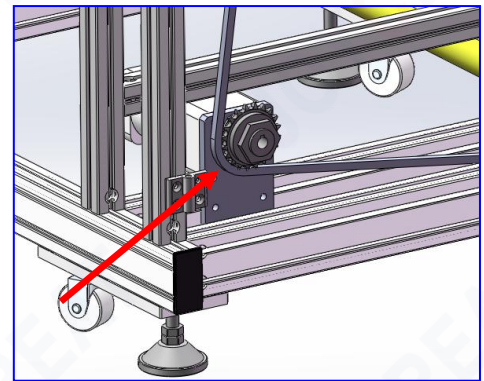
## 6. Troubleshooting

### 1) Startup failure

- a. Make sure the power supply is normal.
- b. Make sure the circuit is normal
- c. Check the motor and governor
- d. Check mechanical fault

### 2) Too tight (material broken) or too little (material loose) when winding

- a. Make sure related hardware is working properly
- b. When the coil is too loose and not tight, slowly tight the torsion regulator marked in the below picture
- c. When the coil is too tight and the material is broken, slowly loose it



### 3) Pneumatic shaft (beam) does not rotate:

Make sure the pneumatic shaft gear is not loosened from the motor transmission gear and screw rod

***Remarks: Please contact us when the fault cannot be solved!***

## 7. Maintenance

### 1) Hardware

- a. After power on, check whether each part is abnormal before the machine runs, and clean the equipment with air gun before work. (once a day)
- b. Whether there is dirt on the guide shaft of each moving part.  
Clean with dustcloth and spread with butter. (Once every half a month)
- c. Check whether the fastening screw of the frequently moving part is loose.  
Tight or replace the screws. (Once every half a month)
- d. Make a thorough inspection of all fixing screws.  
Tight. (Once every half a month)
- e. Check whether the wires in the frequently moving parts are working properly.  
Replace the wire pipe or repair it. (Once every half a month)
- f. Check whether the relays on the circuit board are aging.  
Replace the relay and pay attention to the voltage selected. (Once a month)
- g. The operating environment of equipment must be clean, dry and pollution-free. (long term )

### 2) Electrical System

- a. Check whether the connection is safe and reliable, screw, connection plug is loose or not.  
Make its contact good, safe.(Once every 3 months)
- b. Check whether wiring and components for are aging.  
Replace (Half a year)
- c. Check whether the supply voltage is within the allowable range. (once a week)